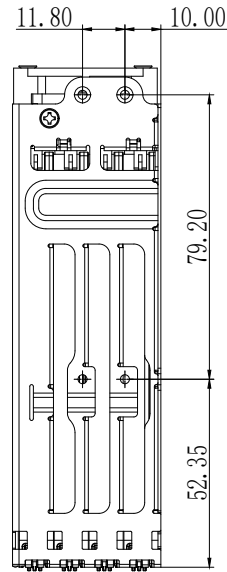
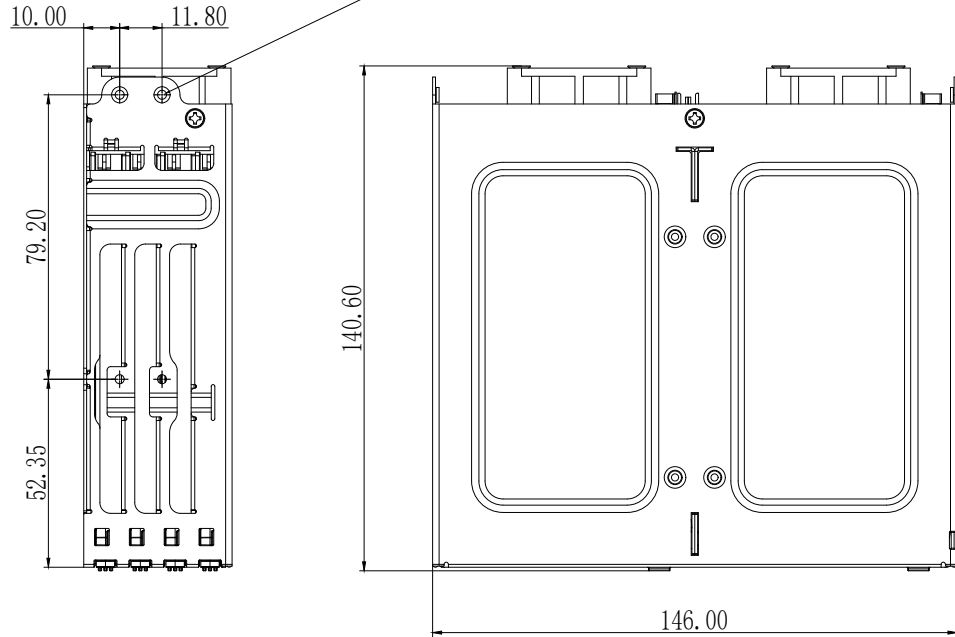
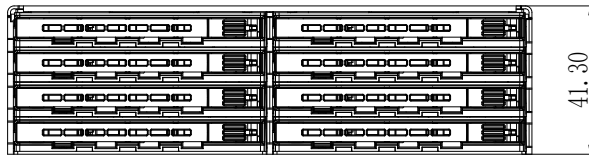
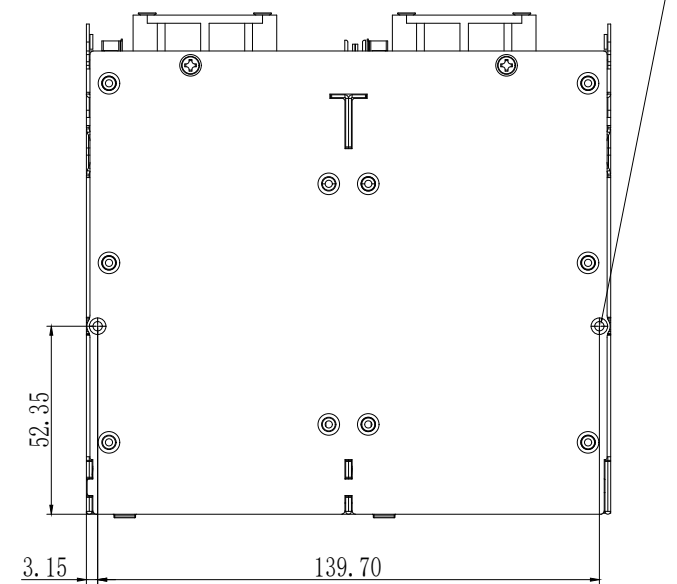


8-M3\*2.5 (Suggest screw size)



2-M3\*2.5 (Suggest screw size)



CREMAX TECH CO., LTD.

TITLE		TOLERANCE	
MB038SP-B 全组立图		X	±0.20
DRAWN:	DATE	X.X	±0.15
	2023.08.28	X.XX	±0.10
CHECKED:	DATE	X°	±0.5°
		SCALE	1:1
APPROVED:	DATE	UNIT	mm
		REV.	1.0
		SHEET 1 OF 1	