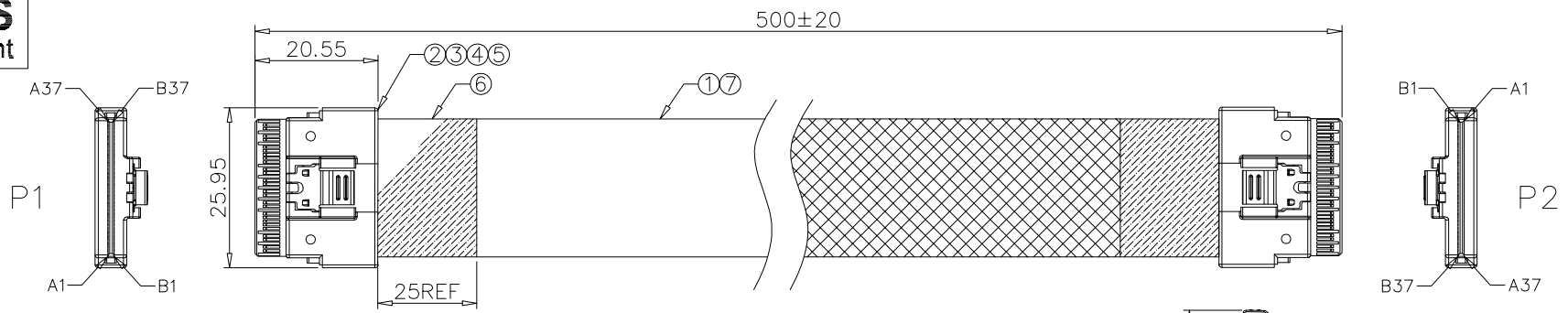


RoHS
compliant



P1		P2	
A1	GND	B1	GND
A2	TX1	B2	RX1
A3	TX1	B3	RX1
A4	GND	B4	GND
A5	TX2	B5	RX2
A6	TX2	B6	RX2
A7	GND	B7	GND
A8	SB ⁻	B8	SB ⁻
A9	SB ⁺	B9	SB ⁺
A10	GND	B10	GND
A11	SB ⁻	B11	SB ⁻
A12	SB ⁺	B12	SB ⁺
A13	GND	B13	GND
A14	TX3	B14	RX3
A15	TX3	B15	RX3
A16	GND	B16	GND
A17	TX4	B17	RX4
A18	TX4	B18	RX4
A19	GND	B19	GND
A20	TX5	B20	RX5
A21	TX5	B21	RX5
A22	GND	B22	GND
A23	TX6	B23	RX6
A24	TX6	B24	RX6
A25	GND	B25	GND
A26	SB ⁻	B26	SB ⁻
A27	SB ⁺	B27	SB ⁺
A28	GND	B28	GND
A29	SB ⁻	B29	SB ⁻
A30	SB ⁺	B30	SB ⁺
A31	GND	B31	GND
A32	TX7	B32	RX7
A33	TX7	B33	RX7
A34	GND	B34	GND
A35	TX8	B35	RX8
A36	TX8	B36	RX8
A37	GND	B37	GND

P1		P2	
A37	GND	B37	GND
A36	RX8	B36	TX8
A35	RX8	B35	TX8
A34	GND	B34	GND
A33	RX7	B33	TX7
A32	RX7	B32	TX7
A31	GND	B31	GND
A30	SB ⁻	B30	SB ⁻
A29	SB ⁺	B29	SB ⁺
A28	GND	B28	GND
A27	SB ⁻	B27	SB ⁻
A26	SB ⁺	B26	SB ⁺
A25	GND	B25	GND
A24	RX6	B24	TX6
A23	RX6	B23	TX6
A22	GND	B22	GND
A21	RX5	B21	TX5
A20	RX5	B20	TX5
A19	GND	B19	GND
A18	RX4	B18	TX4
A17	RX4	B17	TX4
A16	GND	B16	GND
A15	RX3	B15	TX3
A14	RX3	B14	TX3
A13	GND	B13	GND
A12	SB ⁻	B12	SB ⁻
A11	SB ⁺	B11	SB ⁺
A10	GND	B10	GND
A9	SB ⁻	B9	SB ⁻
A8	SB ⁺	B8	SB ⁺
A7	GND	B7	GND
A6	RX2	B6	TX2
A5	RX2	B5	TX2
A4	GND	B4	GND
A3	RX1	B3	TX1
A2	RX1	B2	TX1
A1	GND	B1	GND

- ELECTRICAL CHARACTER:
- a. 100% OPEN&SHORT TESTING;
 - b. WITHSTANDING VOLTAGE:DC 300V 0.01Sec;
 - c. INSULATION RESISTANCE:10M Ohm(Min);
 - d. CONDUCTIVE RESISTANCE:2 Ohm(Max).
 - e.Impedance: 85 Ohm
 - f.Electrical and mechanical performance should meet the SAS4.0 industrial standard.